

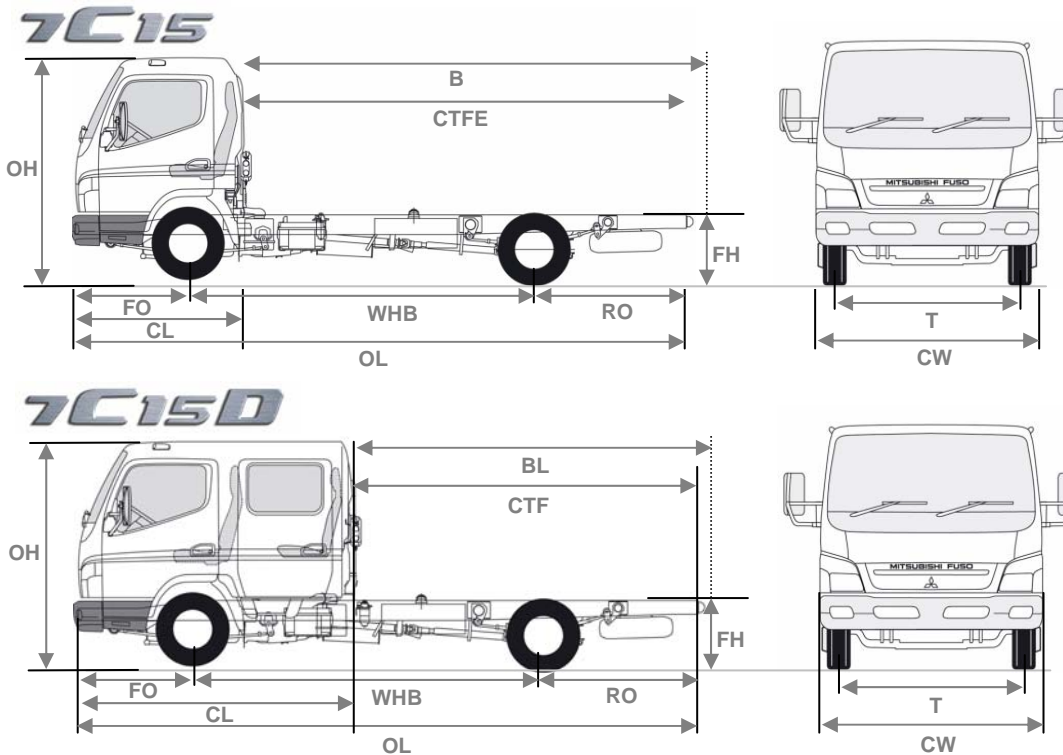


## Masses / Dimensions

Comfort Single/Double Cab (Chassis)

GVW: 7.500 kg GCW : 11.000 kg

**CANTER**  
ALL YOUR BUSINESS NEEDS.



Model	Vehicle type	7C15					7C15D			
		Wide, Single					Wide, Double			
		FE85BC6SLEA1	FE85BE6SLEA1	FE85BG6SLEA1	FE85BH6SLEA1	FE85BJZSLEA1	FE85BG6WLEA1	FE85BH6WLEA1		
	Crew	3					7			
<b>DIMENSIONS mm</b>										
	Wheelbase (WHB)	2750	3350	3850	4200	4470	3850	4200		
	Overall length (OL)	5160	5970	6690	7600	7560	6690	7040		
	Cabin length (CL)	1613					2613			
	Overall width	2030			2130		2030			
	Cabin width (CW)	1995								
	Overall height, approx. (OH)	2200					2225			
	Tread	Front		1665						
		Rear		1560		1660	1560			
	Frame height (back of chassis) approx. *	838	838	838	836	875	838	837		
	Ground clearance, approx.	195								
	Cab to rear axle	2225	2825	3325	3675	3945	2365	2715		
	Cab to frame end (CTFE)	3545	4365	5085	5995	5955	4125	4475		
	Max. body length (BL)	3775	4735	5535	6095	6527	4530	5095		
	Frame width	753			840		753			
	Front overhang (FO)	1140								
	Rear overhang (to frame end) (RO)	1320	1540	1760	2320	2010	1760	1760		
	Front axle to beginning of body	625					1625			
	Recommended cab to body gap	100								
<b>WEIGHTS kg</b>										
	Curb weight (kg) *	2580	2615	2645	2695	2770	2885	2955		
	Max. GVW	7500								
		Front		3100						
		Rear		5200						
	Max. GCW	11000								
<b>CALCULATED PERFORMANCE</b>										
	Max. speed	km/h		112						
	Max. gradeability	(tan q)%		40,0						
	Min. turning radius (m)	Curb to curb		10,4	12,2	13,8	15	15,8	13,8	15
		wall to wall		11,4	13,4	15	16	17	15	16



MITSUBISHI  
FUSO

## Technical Specifications

**7C15**  
**7C15D**

<b>ENGINE</b>				
Model	4M42-3AT4 (EURO4)			
Type	4 stroke, water cooled direct injection, turbo-charged diesel engine with intercooler			
No. of cylinders	4 in line			
Piston displacement	2977 cc			
Max. output (EEC)	107kW/3200min-1			
Max. torque (EEC)	362Nm/1700min-1			
Air cleaner	Dry type with paper element with snorkel			
Alternator	A.C. 12 Volt, 75Amp.			
<b>DRIVE LINE</b>				
Clutch	Model	C4W30D		
	Type	Hydraulic control, single dry plate		
	Facing material	Woven (Asbestos free)		
	Facing outside dia	300 mm		
Transmission	Model	M036S6		
	Type	6 forward and 1 reverse speed, synchromesh on all gears		
	Gear ratio	5.400 - 3.657 - 2.368 - 1.465 - 1.000 - 0.711, Rev. 5.400		
Propeller shaft	Model	P3		
	Type	Tubular, forged steel ends		
Final reduction gear	Model	D035H		
	Type	Single reduction, hypoid gear		
	Ratio	5,714 (opt. Not available)		
<b>CHASSIS</b>				
Front axle	Model	F350T		
	Type	Reverse Elliot "I" beam		
	Rating	3100kg		
Rear axle	Model	R035T		
	Type	Full floating type		
	Rating	5200kg		
Tyre	205/75R17.5 124/122 Single front, dual rear			
Wheel	17.5x6K-127-9t, 6 stud, 1piece (Single nut type)			
Steering	Left hand steering			
Brake	Service	Ball-nut type integral type hydraulic power booster, super wide-span tilt and telescopic column with steering lock		
	Front	Hydraulic with vacuum servo assistance, dual circuit, with ABS and load sensing proportioning valve (LSPV) at rear wheels		
	Rear	252 mm x 40 mm (Auto-adjuster disc)		
	Parking	252 mm x 40 mm (Auto-adjuster disc)		
	Auxiliary	Internal expanding type on propeller shaft at rear of T/M Exhaust brake		
Suspension	Type	Semi-elliptic, laminated leaf springs with stabilizer on front and rear axles		
	Front	1500 mm x 70 mm x 18 mm - 2 (span x width x thickness - quantity)		
	Rear/main	1250 mm x 70 mm x 11 mm - 5, 10 mm - 1	1300x70x11-2, 14-2	1250x70x11-5, 10-1
	Rear/helper	990 mm x 70 mm x 12 mm - 4	1050x70x10-1, 12-1 13-1, 11-2	990 x 70 x 12 - 4
Shock absorbers	Hydraulic double acting telescopic type on front and rear axles			
Frame	Type	Parallel tapered channel section with reinforcements and crossmembers		
	Max. section	193 mm x 60 mm x 6.0 mm (depth x upper flange x thickness)	226x70x6	193 x 60 x 6.0
Fuel tank capacity	100 lts			
Electrical system - batteries	12 Volt, regulated control - 12 Volt, 92 Ah at 5 hr rate (130E41Rx1)			
	12 Volt, 115 Ah at 20 hr rate			
<b>CAB</b>				
Construction	Tilt type with torsion bar		Fixed type	
	All steel welded construction			

\* According to 70/156/EEC, including coolant, oil, 90% fuel, spare wheel, tools and 75kg driver

This document does not constitute a contract. Weights, dimensions, characteristics and data are for guidance only and will depend on the choice of options. The right is reserved to modify the above specifications without prior notice. For further assistance please contact your Mitsubishi Fuso / Mitsubishi Motors / Mercedes-Benz Dealer. (May 2006)